

2MP 20x IR Network PTZ Dome Camera

IPC6222ER-X20(P)-B



Key Features

Optics

- Accurate and fast focusing
- The third-generation infrared technology
- Smart IR, up to 150m (492ft) IR distance
- Optical glass window with higher light transmittance
- IR anti-reflection window to increase the infrared transmittance
- 120dB true WDR

Compression

- Ultra 265, H.265, H.264, MJPEG
- Triple streams
- Customized OSD

Network

- ONVIF Conformance

Structure

- Special structure and window design to battle bad weather (especially in dusty weather)
- Innovative snow-removing functionality
- More effective heat dissipation system
- Intelligent temperature control technology
- 6KV surge protection designed for network interface

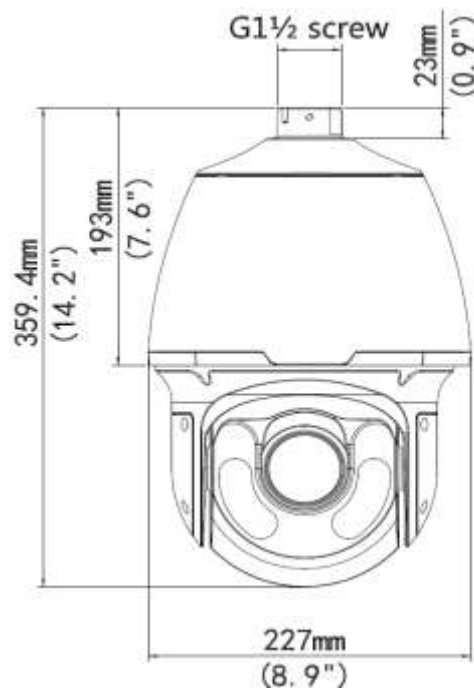
Specifications

	IPC6222ER-X20-B	IPC6222ER-X20P-B			
Camera					
Sensor	1/2.8", 2.0 megapixel, progressive scan, CMOS				
Lens	5.2 ~ 104mm, AF automatic focusing and motorized zoom lens				
Digital Zoom	16				
Optical Zoom	20				
DORI Distance	Lens (mm)	Detect (m)	Observe (m)	Recognize (m)	Identify (m)
	5.2	80.7	32.3	16.1	8.1
	104	1613.8	645.5	322.8	161.4
Angle of View (H)	55.93° ~ 3.52°				
Angle of View (V)	33.25° ~ 1.98°				
Angle of View (O)	68.79° ~ 4.15°				
Shutter	Auto/Manual; shutter time: 1 ~ 1/100000s				
Minimum Illumination	Colour: 0.001Lux (F1.5, AGC ON)				

	0Lux with IR
Iris	Auto/Manual; F1.5 ~ F3.0
Day/Night	IR-cut filter with auto switch (ICR)
Digital noise reduction	2D/3D DNR
S/N	>52dB
IR Range	UP to 150m (492ft)
Defog	Digital Defog
WDR	120dB
Video	
Video Compression	Ultra 265, H.265, H.264, MJPEG
H.264 code profile	Baseline profile, Main Profile, High Profile
Frame Rate	Main Stream: 2MP (1920*1080), Max 30fps; Sub Stream: 2MP (1920*1080), Max 30fps; Third Stream: D1 (720*576), Max 30fps
HLC	Supported
BLC	Supported
EIS	Supported
OSD	Up to 8 OSDs
Privacy Mask	Up to 24 areas
ROI	Up to 8 areas
Motion Detection	Up to 4 areas
Smart	
General Function	Watermark, IP Address Filtering, Tampering Alarm, Alarm input, Alarm output, Access Policy, ARP Protection, RTSP Authentication, User Authentication
Audio	
Audio Compression	G.711
Two-way audio	Supported
Suppression	Supported
Sampling Rate	8KHZ
Storage	
Edge Storage	Micro SD, up to 256GB
Network Storage	ANR
Network	
Protocols	IPv4, IGMP, ICMP, ARP, TCP, UDP, DHCP, PPPoE, RTP, RTSP, RTCP, DNS, DDNS, NTP, FTP, UPnP, HTTP, HTTPS, SMTP, 802.1x, SNMP, TLS, SSL, QoS
Compatible Integration	ONVIF (Profile S, Profile G, Profile T), API
Pan & Tilt	
Pan Range	360° (endless)
Pan Speed	0.1°/s ~ 240°/s
	Preset speed: 300°/s
Tilt Range	-15° ~ 90° (auto reverse)
Tilt Speed	0.1° ~ 160°/s
	Preset speed: 240°/s
Number of Presets	1024
Patrol	Up to 16 patrols, up to 32 presets per patrol

Home Position	Supported	
Interface		
Audio I/O	Audio cable	
	Input: impedance 35kΩ; amplitude 2V [p-p]	
	Output: impedance 600Ω; amplitude 2V [p-p]	
Alarm I/O	1/1	
Network	1 RJ45 10M/100M Base-TX Ethernet	
General		
Power	AC 24V±25%,	AC 24V±25%, PoE (PSE Required)
	Power consumption: 9 ~ 42W	
Dimensions (∅ x H)	∅227 x 359.4mm (∅8.9" x 14.2")	
Weight	5.28kg (11.6lb)	
Working Environment	-40°C ~ 65°C (-40°F ~ 149°F), Humidity: ≤95% RH (non-condensing)	
Ingress Protection	IP66	

Dimensions



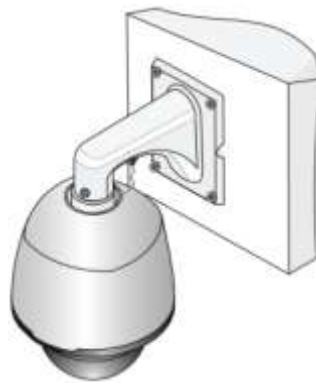
Installation



Pendant mount



Standing pole mount



Wall mount



Corner mount



Pole mount

Zhejiang Uniview Technologies Co., Ltd.

Building No.10, Wanlun Science Park, Jiangling Road 88, Binjiang District, Hangzhou, Zhejiang, China (310051)

Email: overseasbusiness@uniview.com; globalsupport@uniview.com

<http://www.uniview.com>

©2019 Zhejiang Uniview Technologies Co., Ltd. All rights reserved.

*Product specifications and availability are subject to change without notice.